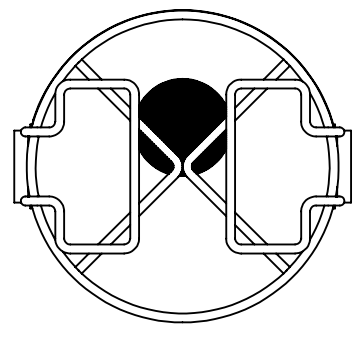
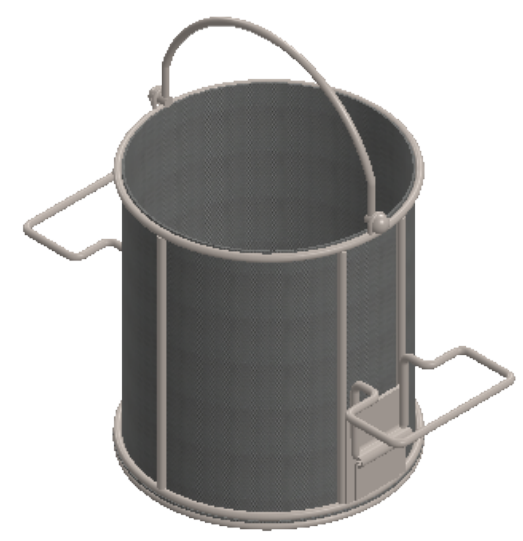
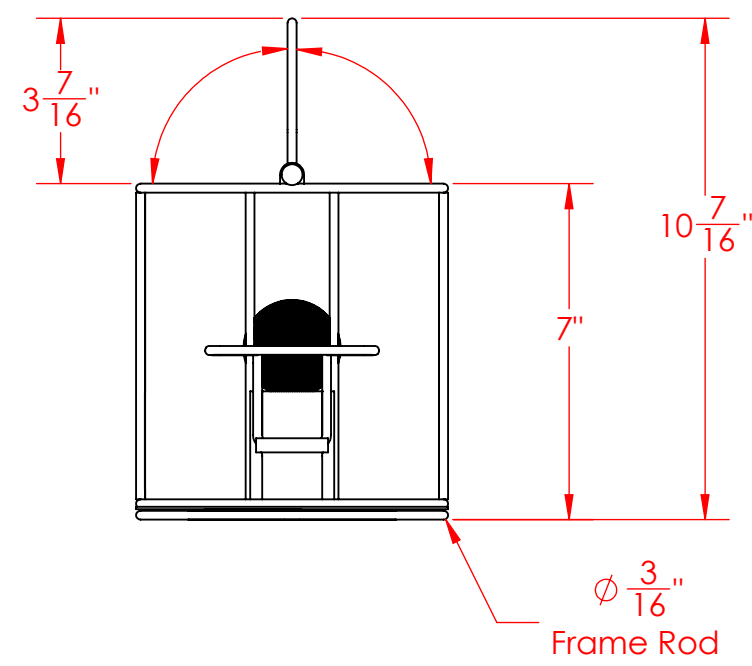
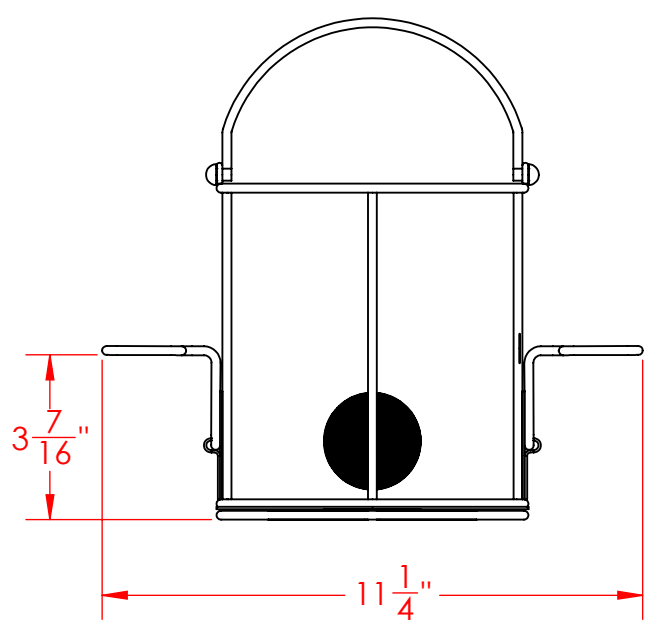
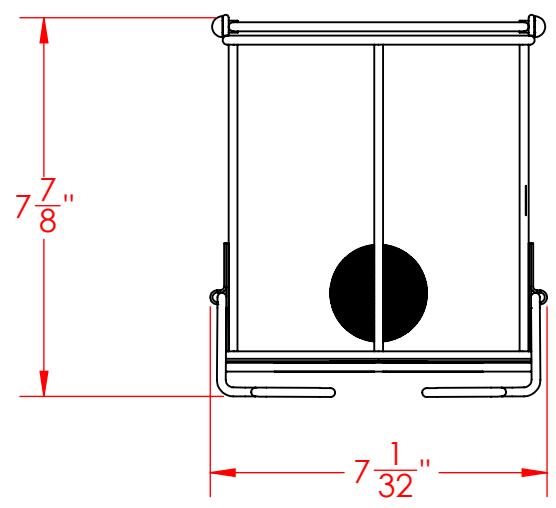
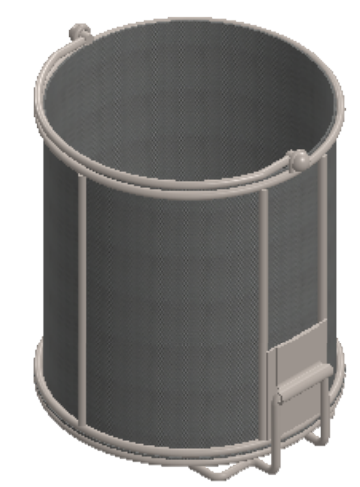
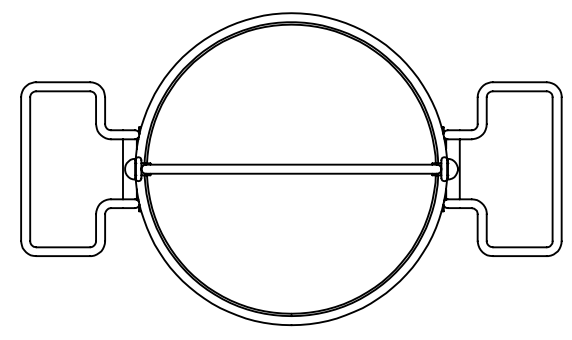
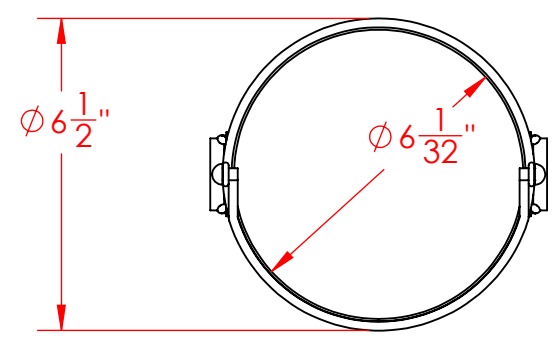


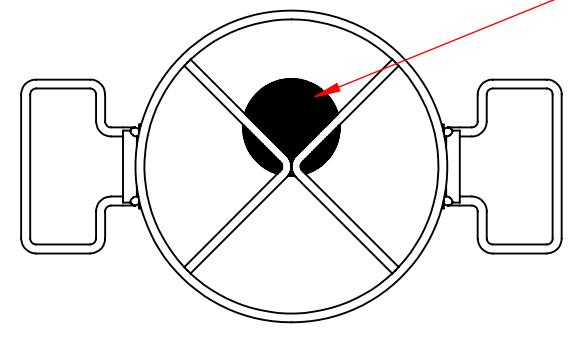
8 7 6 5 4 3 2 1

D
C
B
A

D
C
B
A



FEET IN/HANDLE DOWN



FEET OUT/HANDLE UP

Lined Bottom and Sides with
20 Mesh x .014" Woven Wire
(.036" Openings, 51.8% Open Area)

Sized to fit a standard
2 gallon plastic bucket

UNLESS OTHERWISE SPECIFIED:
DIMENSIONS ARE IN INCHES
TOLERANCES:
FRACTIONAL $\pm 1/16''$
ANGULAR: ± 5 DEG.
TWO PLACE DECIMAL ± 0.03
THREE PLACE DECIMAL ± 0.015

EST WGT
1.7 lbs.
MATERIAL
304 Stainless Steel
FINISH
Natural

DO NOT SCALE DRAWING

Dip and Drain Basket: 6-1/2 Dia. x
7H, 304 SS, Swinging Round Loop
Handle, Mesh: 20 x .014

SIZE **B** DWG. NO.
DND-065RND070-C20S

PROPRIETARY AND CONFIDENTIAL
THE INFORMATION CONTAINED IN THIS
DRAWING IS THE SOLE PROPERTY OF
THREE M TOOL. ANY REPRODUCTION IN
PART OR AS A WHOLE WITHOUT THE
WRITTEN PERMISSION OF THREE M TOOL
IS PROHIBITED.

SCALE: 1:4

SHEET 1 OF 1

8 7 6 5 4 3 2 1